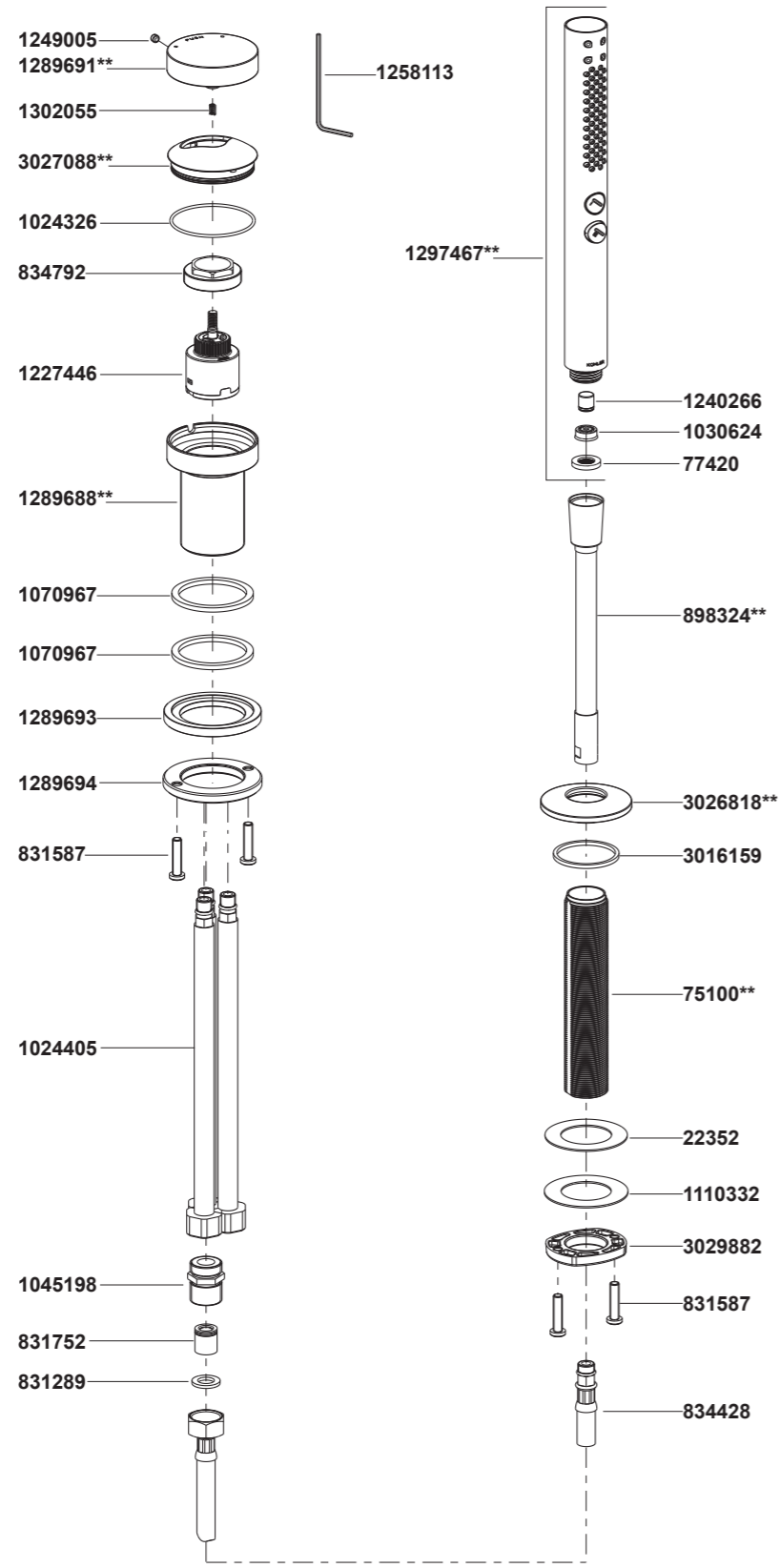


**77989T-8A Handshower With Control**



\*\*Color code must be specified when ordering.

**NOTE:** For all Asia pacific regions (excluding China) add SP (SPxxxxxx\*\*) in front of the part number when ordering.

**77989T-8A Handshower With Control**

**BEFORE YOU BEGIN**

All information is based on the latest product information available at the time of publication. Kohler Co. reserves the right to make changes in product characteristics, packaging, or availability at any time without notice.

Please leave these instructions for the consumer. They contain important information.

**NOTES:**

1. Shut off the main water supply.
2. Carefully read entire instructions before beginning installation.
3. Observe local plumbing codes.
4. The highest working pressure for handshower is 0.5MPa(5bar). If it exceeds 0.5MPa(5bar), a pressure reducer is needed. The highest water and environment temperature is 60°C. Please keep handshower, showerhead and shower arm away from heater, or it may become damaged and cause injury to the user.

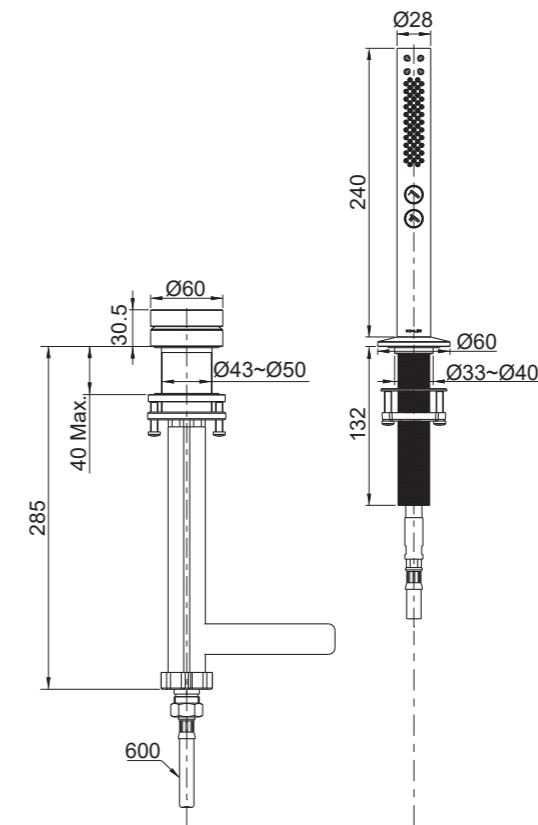
**HANDLE OPERATION**

Lift the handle gently. Turn clockwise for hot water, turn counter-clockwise for cold water.

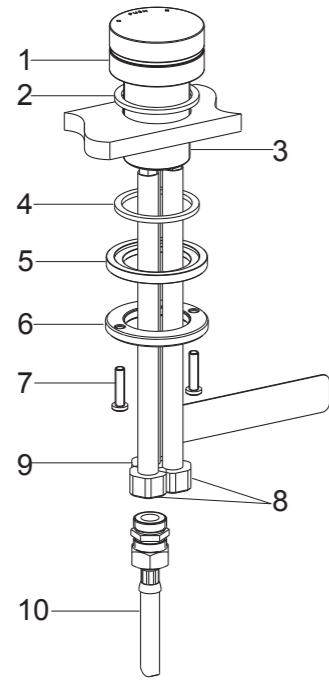
**STANDARD APPLICABLE**

Special model meets or exceeds the following at date of manufacture: TIS

**ROUGH-IN DIMENSIONS**



## INSTALLATION



### How to Install the Handle Kit

Install the washer(2) into the groove of the handle kit(1). Insert the handle kit with washer to the mounting hole. Adjust the handle. Make sure the handle with red dot is on the left side and blue dot on the right side.

Install the screws(7) into the threaded ring(6). From underside, slide the washer(4) and washer(5) to the body(3). Screw the threaded ring. Tighten the screws to secure the handle kit.

Attach the two hoses(8) to water supplies. When facing front of the faucet, the left hose connects to hot water, the right hose with "COLD" label should be connected to cold water. Connect the rear hose(9) and the hose assembly(10).

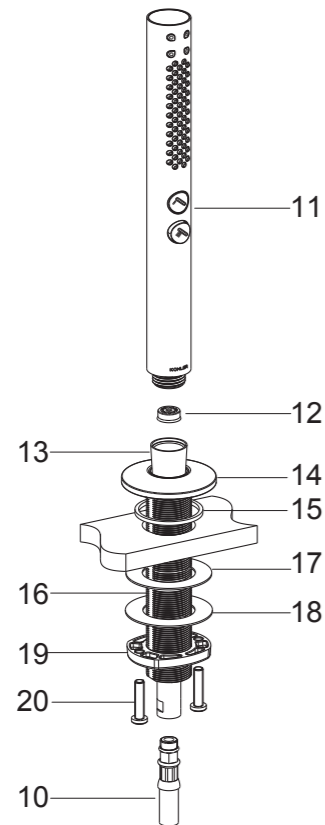
### How to Install the Handshower

Adhere the washer(15) to the bottom of the escutcheon(14). Screw the escutcheon to the shank(16). Place the shank into the mounting hole until the escutcheon against the deck.

Install the screws(20) into the fixing ring(19). From underside, slide the washer(17, 18) to the shank. Screw the fixing ring. Tighten the screws to secure the shank.

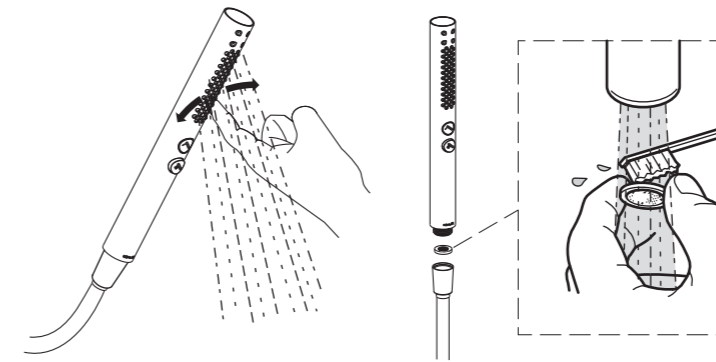
Slide the hose(13) through the escutcheon, and attach to the other end of the hose assembly(10).

Install the restrictor(12) into the inlet of the handshower(11) if needed. Connect the hose(13) and handshower.



### How to Operate the Handshower

Press the buttons of the handshower to change the water flow.

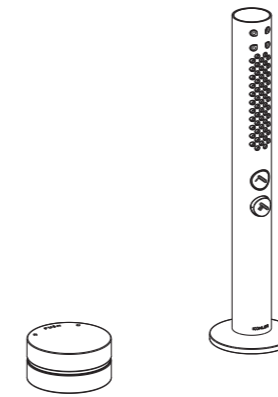


### How to Maintain the Handshower

Any debris or mineral build-up may cause the flow stream to become distorted or reduce the flow rate. To remove the debris or mineral build-up, run water through the handshower, firmly press or rub your finger back and forth across the rubber nozzles.

Remove and clean the screen washer.

## INSTALLATION CHECKOUT



Ensure all coupling nuts are tight. Turn on main water supply and check for leaks. Repair as required.

## CLEANING INSTRUCTIONS

All Finishes: Clean the finish with mild soap and warm water. Wipe entire surface completely dry with clean soft cloth. Many cleaners may contain chemicals, such as ammonia, chlorine, toilet cleaner etc, which could adversely affect the finish and are not recommended for cleaning.

Do not use abrasive cleaners or solvents on Kohler faucets and fittings.